

Philosophy of transalpin

Contact Germany

Reinhard Zetsche – Munich
+49_89_51 99 70 80

Folker Königbauer – Mindelheim
+49_8261_6941
f.koenigbauer@transalpin.net

Contact Italy

Björn Blisse – Milan
+39_347_88 99 052
b.blisse@transalpin.net



We regard design as a marketing tool. Good design produces product advantages, makes them obvious to customers and creates important argument for sales strategy. But in order to use design successfully, it must be included in all phases of product development and form an integral part of corporate philosophy.

trans|alpin

Process of a product development

Briefing about the project

Phase 1 – Draft design

Phase 2 – Modelmaking

Phase 3 – Implementation



In order to attain economic tool and parts prices, we will discuss practical production processes right from the start of development. On request, we will of course be pleased to provide you with advice regarding tool construction and production, and find suitable partners.

Briefing about the project

- Analysis of competitors
- Environment of the target group
- Planned number of pieces
- Practical production processes
- Cost-effective tools
- Fixing other requirements (VDE, TÜV, EMV, Material ...)
- Ergonomic improvements
- Sectoral demands

.....



Product development process, innovative ideas and product improvements will be discussed during the first non-binding meeting. The resulting specifications form the basis for our offer in 3 phases.

Phase 1 Draft design

- Sketches, renderings
- 2D-images with Freehand
- Photoshop-images
- 3D with Cinema/ProE
- Multimedia
- Trailer, short movies ...



Using sketches and 2-D/3-D computer presentations, various solution concepts are developed. The draft designs always take account of feasibility and already relevant production processes.

Phase 2 Modelmaking

- Ergonomic samples
- Volume models
- Design models
- Models to demonstrate functions
- Prototyps, Rapid Prototyping



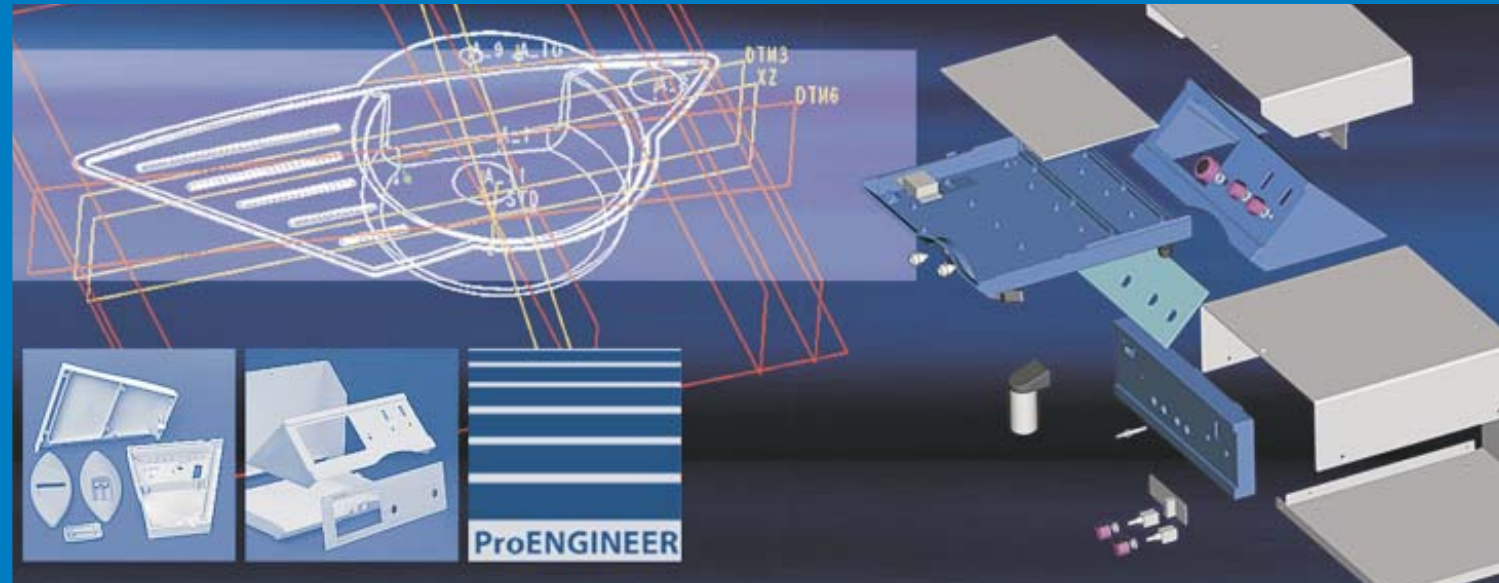
The selected draft is presented as a model in the necessary quality stage. These models range from simple volume models and design models through to prototypes and stereolithographic models.

Phase 3 Implementation

Offers for tooling

Provision of partners for production

Construction with ProE/Solid Works



Pro Engineer/Solid Works or AutoCAD is used to design and implement the draft design through to series maturity. On request, we will locate service providers for toolmaking and production.

FTA Communication Technologies S.à.r.l – Luxembourg

Injection moulding and painted



Satellite receivers

Reduced to the main elements, all operating controls are concealed behind the concavely curved front with a display. The model variants range from a simple basic unit solely for reception through to a personal digital video recorder with an integrated hard disk for recording the required programmes. Thanks to intelligent design, all models are produced using one tool.



Various solutions out of stage 1 with 3D-images

Physiomed Elektromedizin AG

TSG-Production process

Tools of steel

Parts painted

EMV-painted



Generation of medical equipment for stimulus-current treatment

The different model types are defined by the design of the front panels and use one housing. All models can be stacked in the necessary combinations. The main connections are found at the front in an organically shaped plug cavity.



All models were developed totally from design through to series production using ProEngineer, thus reducing development times and lowering costs.

trans|alpin

Aquajet s.r.l.-Italy



Water massage

The receiver in the shape of a wave already provides a formal indication of the function of the product. Haptics and ergonomics are defined almost automatically in the remote control. The transmitter and receiver are made of recyclable, graded ABS shells, are naturally fully waterproof and can withstand any underwater dive.



Sketches by hand in the first stage

Topstar Möbel GmbH



We have redefined office mobility with the rotating containers from Topstar. The modular system enables you to individually configure your office container. No fastening devices or tools are required for assembly. A steel tube is placed in a base cross made of glass-fibre-reinforced polyamide with double rollers. This tube is locked by a cone. The container for the particular application location is defined by “threading on” different elements.



Remote controls for ruwido

The upper part of the housing provides space for up to 18 functions, a cursor block and LCD displays of different sizes. This is ideal for OEM customers since a slide is provided in tool also for a logo. Thanks to the optimised centre of gravity and the ergonomically designed underside of the slim ABS housing, the remote rests comfortably in the hand and allows the user to operate the most important functions with just one hand.

Rieber GmbH & Co.



Sinks in Stainless Steel

Uncompromising concepts touch on the limits of what's feasible and show off stainless steel in a breathtaking manner. Innovative and forward-looking ideas are created with stainless steel. We define a new class with the individual sink units in this series and create trends for single households.



The sink called "NIUSON" – 3D images from the 1. stage – Rieber exclusiv for Nolte and ALNO

Ventilux_{for next home collection}



The breeze which comes from the wrist: simply turn, adjust the height as required and off you go: a cool head for big or small people! You decide where the wind blows and how strong: pull the power cord and choose between 3 speeds: atmosphere - breeze – storm. The intelligent electronics stop the fan when running at any speed within 1.5 seconds. Choose the air current which best suits your living room, office or shop: Ventilux is available in the following colours: green, pink, fluorescent orange for attention-seekers, and silver and anthracite, the traditional furnishing colours. Anodized aluminium rounds off the colour range.

trans|alpin



Powerflower – the water dispenser

Just imagine, you are on holiday and your geraniums at home are dying of thirst. This thought could spoil your 2 weeks in Rimini. And now just imagine that this wasn't a problem and that an expensive home help could be replaced. Powerflower will calm your nerves. Developed for Koziol, a product with high nutritional value! The leaf is the water reservoir while water slowly diffuses through the clay cone into the earth, thus watering your plants. The North Rhine-Westphalian Design Centre presented the international award "reddot-best of the best" to the patented Flowerpower for the highest possible design quality.

Visions Salone Satellite in Milano 2003



B. Blisse, F. Königbauer und R. Zetsche are transalpin



CUBIX - Furniture from a vending machine

The project has been developed by bjørn blisse, folker königbauer und reinhard zetsche- designers from germany and italy, who founded transalpin in 1999. „cubix–instant furniture“ is a brandnew, exceptional furniture-concept : just complete Your collection from the slotmachine More details on > > www.transalpin.net



Doesn't matter if chair, table, shelf or lights: every piece comes out of the same cube of 16 cm length.

trans|alpin

noax Technologies AG

- Business papers
- Product folders
- Image brochures
- Advertising – PR
- Direct Mailings
- Webdesign
- Fair-concepts



www.noax.com

Corporate Design

A clearly defined corporate identity is important when evaluating a company. It forms the basis for the credibility, trust and acceptance of the power of a brand and is a decisive competitive advantage. The development of CI started with the selection of a name and the clarification of all matters relating to brand and patent law. The main message (USP) of the industrial PCs is found in the words "robust and reliable". The rhinoceros is a synonym here.

Swietelsky Bauges.m.b.H.

- Folders, brochures ...
- Fair-concepts
- Technical dokumentation
- Principle drawings ...
- Advertising – PR
- Webdesign



In graphics our services start with the first conceptional sketches and are ending with the final data, print control and the final prints.



Technical dokumentation and principle drawings about functions of formation rehabilitation machines

GraphicDesign

Logos

Symbols

Catalogues ...



Symbols for different fields of the VHS-Catalogues

Services an overview

Industrial-Design

Design – modelmaking – construction
Models, prototyps, STL-samples
Construction with Pro Engineer
Advice reg. production processes
Advice reg. toolmaking and production

Graphic-Design

Folders, brochures, Prints ...
Logos, symbols, graphics
Advertising and PR
Webdesign, photo design, multimedia
Corporate identity, corporate design
fair concepts and exhibition



Every development also naturally starts on a piece of paper! But the methods then used vary considerably. Every new task calls for an individual procedure which is formulated in close co-operation with our business partners and does not come “off the peg”. Our customers also contribute a large number of ideas, often without realising it. We simply ask the right questions. Our objective remains market success for your products as this proves the professionalism of our work.

trans|alpin

Thanks for Your interest in transalpin and our work

Contact Germany

Reinhard Zetsche – Munich
+49_89_51 99 70 80

Folker Königbauer – Mindelheim
+49_8261_6941
f.koenigbauer@transalpin.net

Contact Italy

Björn Blisse – Milan
+39_347_88 99 052
b.blisse@transalpin.net



Björn Blisse

Folker Königbauer

Reinhard Zetsche

If You need any additional information about transalpin or our services, don't hesitate to contact ...

trans|alpin